

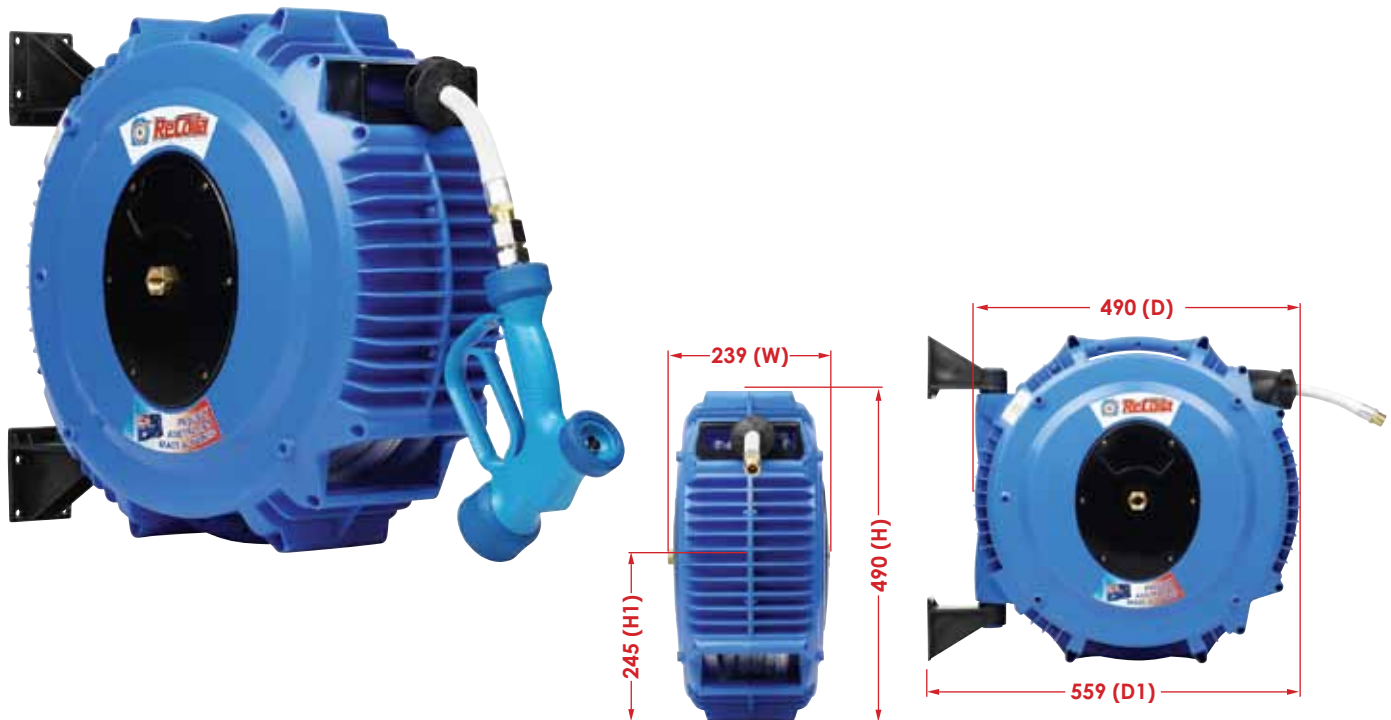
## Hot Wash Water Reels

ReCoila® Gen III HW series reels are specifically designed as the perfect solution for hot water washdown applications in food preparation areas. The white food grade hose is acceptable for food processing areas for hot or cold water washdown.

The stain and chemical resistant engineered composite material construction allows the reel to be easily washed and hygienically cleaned as and when required.

The open top and bottom allows for air circulation and reduces the build up of dirt and grime. The HW series is available with and without the heavy duty fully insulated washdown gun.

Model	Hose ID	Hose Length	Max PSI	Inlet Fitting	Outlet Fitting	Temp Range	Weight
HW1015	10mm	15m	240	3/8" BSPF	3/8" BSPM	-30/+85°C	11Kg
HW1020	10mm	20m	240	3/8" BSPF	3/8" BSPM	-30/+85°C	12Kg
HW1215	12mm	15m	240	1/2" BSPF	1/2" BSPM	-30/+85°C	12Kg
HWG1015	10mm	15m	240	3/8" BSPF	H.D Gun	-30/+85°C	11Kg
HWG1020	10mm	20m	240	3/8" BSPF	H.D Gun	-30/+85°C	12Kg
HWG1215	12mm	15m	240	1/2" BSPF	H.D Gun	-30/+85°C	12Kg



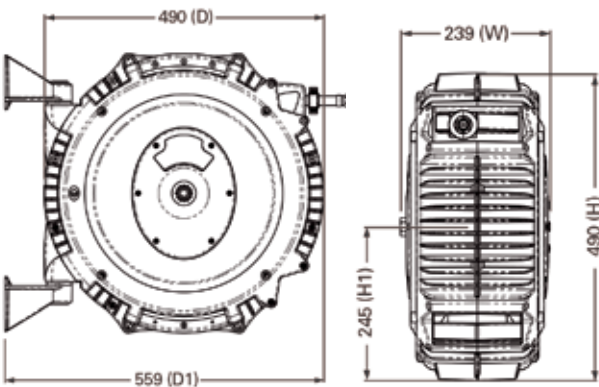
**Note:**

NPT, JIC, JIS, Metric threads are available on request. Maximum working pressure of the hose is rated 240 psi @ 30°C, operating temp 85°C @ 150 psi. Standard swivel configuration is DR brass optional 316 stainless steel is available.

## Gen III Features & Benefits

ReCoila® Gen III composite construction reels lead the world in design, functionality, reliability and innovative features.

ReCoila® was one of the first in the world to develop and manufacture composite spring rewind reels and today we continue to be world leaders.



- Up to a 5 year warranty
- Highest quality 'finished edge' spring steel strip
- Full flow swivels and fluid paths
- Positive crimp hose fittings
- All position positive latching system
- Tough, impact, corrosion resistant and UV stabilized polypropylene with anti static and flame retardants
- Unique ratchet tensioning system
- Heavy Duty wall mounting swivel system
- Replaceable protective mouth guard
- Large side covers for easy access in servicing and maintenance routines
- Food grade approved materials
- Unique service locking pin port for added safety
- Two part fully adjustable bumper
- Detailed operation and service manual
- Easy mount drill hole pattern supplied

