

General Purpose Air & Water

ReCoila® Gen IV GP series reels are the perfect solution for small to medium workshop applications where size is important or short hose lengths are all that is required. Ideal applications are service vans, under bench, assembly lines, home handyman. These reels are supplied complete with 1.5m of inlet connection hose.

Model	Hose ID	Hose Length	Max PSI	Inlet Fitting	Outlet Fitting	Temp Range	Weight
GP612	6mm	12m	240	3/8" BSPF	1/4" BSPM	-5/+65°C	7.5Kg
GP812	8mm	12m	240	3/8" BSPF	3/8" BSPM	-5/+65°C	7.5Kg
GP1010	10mm	10m	240	3/8" BSPF	3/8" BSPM	-5/+65°C	7.5Kg

*All reels supplied with 1.5m inlet hose



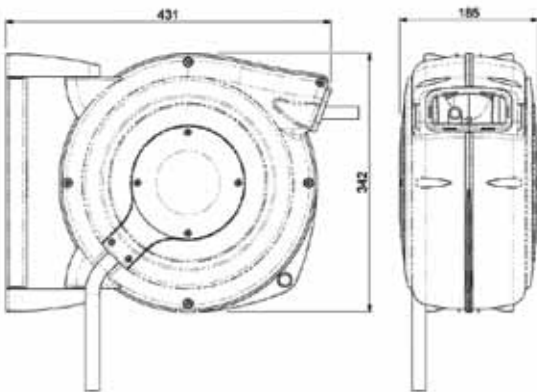
Gen IV Features & Benefits

ReCoila® Gen IV composite construction reels lead the world in design, functionality, reliability and innovative features at a very economical price.

ReCoila® was one of the first in the world to develop and manufacture composite spring rewind reels and today we continue to be world leaders.

The development of the Gen IV series follows on from the Gen III series and some 30 years of composite spring rewind reels manufacturing.

The Gen IV series is ideal for commercial and light duty applications.



L Series Dimensions

- Compact design
- Highest quality finished edge spring
- Full flow fluid paths (hose reels)
- Positive latching system allowing for all positional mounting
- Comprehensive 12 month warranty
- Unique reliable slip ring design (electrical reels)
- UV stabilized engineered composite construction
- Unique “sliding” swivel mounting bracket system
- Parallel input hose / cable connection for slimmer design and less stress on input hose or cable

