



# VEM SERIES

STAINLESS STEEL  
HYDRAULIC FILTER

VEM strainers are specially designed for high particle retention, easy maintenance, and excellent efficiency in harsh operating conditions. Their bowl houses a large cartridge for longer operating life and reduced servicing times.

The tri-clamp connection to the strainer body allows a quick removal with no tools. Removable bottom plug for easy screen cleaning.

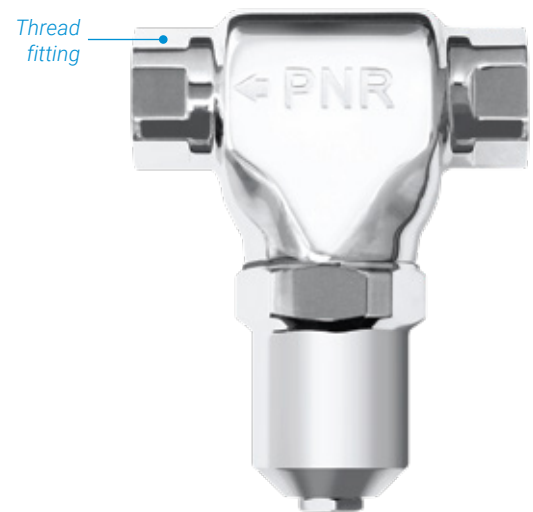
The **tri-clamp fitting** guarantees a safe, uniform, and smooth union of the parts and consequent ease of cleaning and minimum risk of residues that can affect the quality of the product.

The tri-clamp connection is often used in systems where it is essential to comply with sanitary standards.

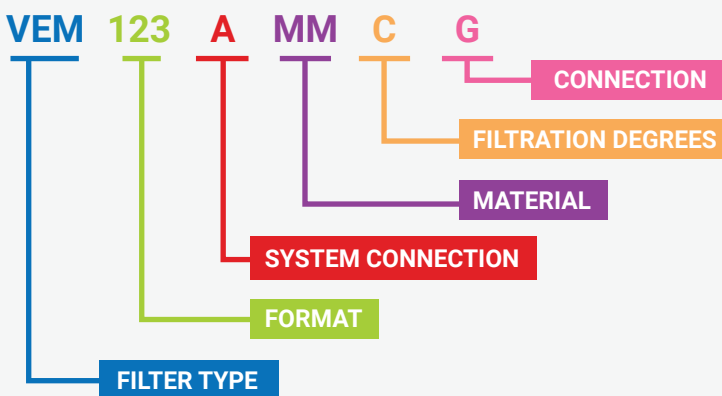
**316L stainless steel** is highly resistant to corrosion. It does not alter the filtered liquid's color, smell, and taste and is resistant to very high and shallow temperatures.

The quality/price ratio is highly advantageous, thanks to the long operating life of the filter made of 316L stainless steel.

The stainless steel corrosion resistance allows using the VEM filter in saline environments and marine areas, in environments with a high concentration of chemical substances, and in general where adverse operating conditions occur.



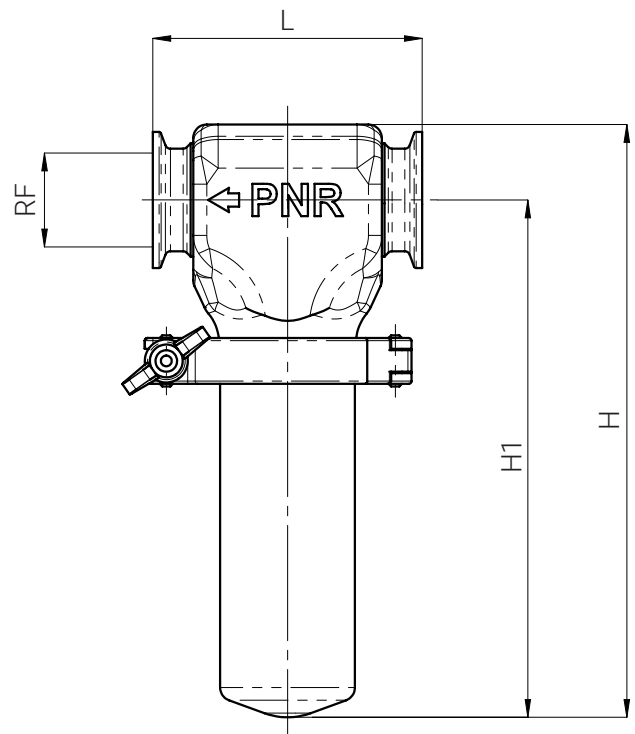
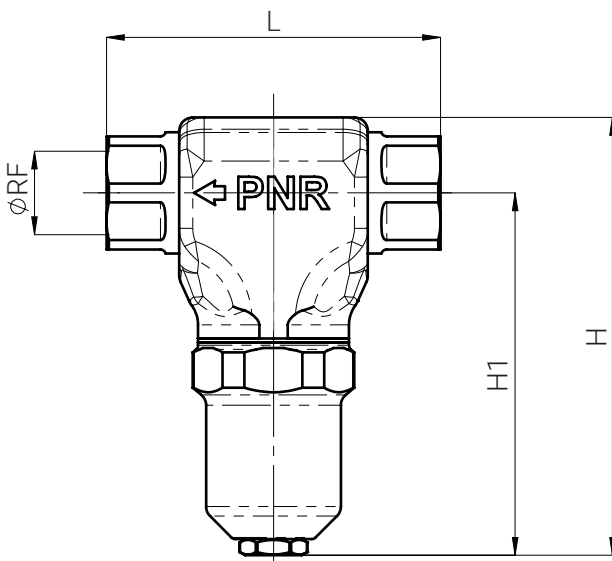
## PNR CODING



THREAD SIZE	½", ¾", 1"
TRI-CLAMP DIMENSIONS	1 ½" line, 2" body
WIRE NET MESH SIZE	30, 60, 80 mesh
MAX WORKING PRESSURE	14 bar
MAX CAPACITY	14 lpm
MATERIAL	B31 AISI 316L
TYPICAL APPLICATION	Filtering before spraying liquids

CODE	RF mm	H mm	H1 mm	L mm	CARTRIDGE	M mesh	kg
VEM 100D B31IG	½"	162,5	134,5	124	XVE 29C0 B31RI	30	1,87
VEM 100E B31IG	¾"	162,5	134,5	124	XVE 29C0 B31RI	30	1,87
VEM 100F B31IG	1"	162,5	134,5	124	XVE 29C0 B31RI	30	1,87
VEM 100D B31FG	½"	162,5	134,5	124	XVE 29C0 B31RC	60	1,87
VEM 100E B31FG	¾"	162,5	134,5	124	XVE 29C0 B31RC	60	1,87
VEM 100F B31FG	1"	162,5	134,5	124	XVE 29C0 B31RC	60	1,87
VEM 100D B31EG	½"	162,5	134,5	124	XVE 29C0 B31RB	80	1,87
VEM 100E B31EG	¾"	162,5	134,5	124	XVE 29C0 B31RB	80	1,87
VEM 100F B31EG	1"	162,5	134,5	124	XVE 29C0 B31RB	80	1,87
VEM 100H B31IT	TRI-CLAMP	220	192	100	XVE 29C0 B31RI	30	1,87
VEM 100H B31FT	TRI-CLAMP	220	192	100	XVE 29C0 B31RC	60	1,87
VEM 100H B31ET	TRI-CLAMP	220	192	100	XVE 29C0 B31RB	80	1,87

MESH	FREE PASSAGE mm
30	0,6
60	0,25
80	0,18



**Tecpro**  
AUSTRALIA  
Technical Solutions You Can Rely On

5/16 Rob Place  
Vineyard NSW 2765, Australia

Tel: (02) 9634 3370  
Email: sales@tecpro.com.au