

## Rotating cleaners



Pin Fix

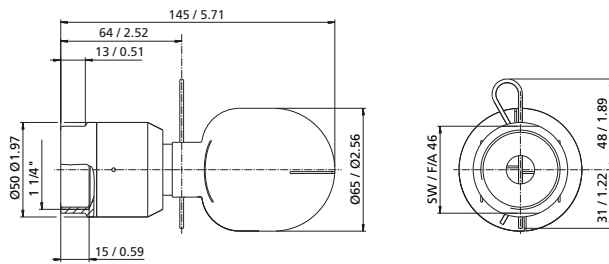
BSP/NPT

Turbo SSB 125	
Working pressure:	2 - 6 bar (29 - 87 psi)
Cleaning diameter:	max. 10 m (32.8 ft)
Flow rate:	12 - 24.5 m <sup>3</sup> /h (200 - 408.3 l/min / 52.8 - 107.9 USgpm)
Spray angle:	360°
Operating temperature:	max. 90 °C (194 °F)
Ambient temperature/SIP:	max. 140 °C (284 °F), 30 min
Insertion opening:	BSP/NPT min. 90 mm (3.54 inch) / PinFix min. Ø 110 mm (4.33 inch)
Materials:	stainless steel 316L (1.4404) with C-PTFE or PTFE
Preferred mounting position:	vertical down

- Slow constant rotation
- Powerful fan jets

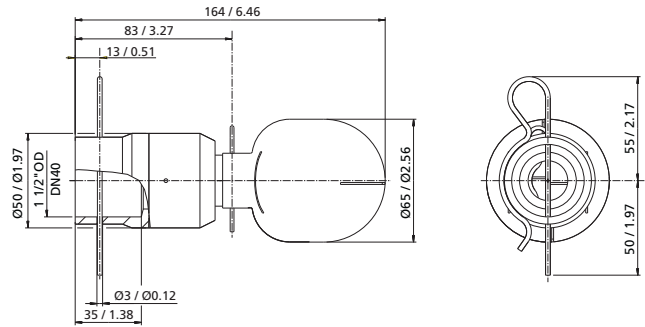
Version	Part number	Version	Part number
1 1/4" BSP female / C-PTFE <sup>2</sup>	4660-2451-113	Pin Fix for 1 1/2" OD (38.1 x 1.6 mm) pipe / C-PTFE <sup>2</sup>	4660-2452-413
1 1/4" BSP female / PTFE	4660-2448-112	Pin Fix for 1 1/2" OD (38.1 x 1.6 mm) pipe / PTFE	4660-2454-412
1 1/4" NPT female / C-PTFE <sup>2</sup>	4660-2558-417	Pin Fix for DN 40 (41 x 1.5 mm) pipe / C-PTFE <sup>2</sup>	4660-2558-415
1 1/4" NPT female / PTFE	4660-2453-212	Pin Fix for DN 40 (41 x 1.5 mm) pipe / PTFE	4660-2558-416

<sup>2</sup> suitable for use in potentially explosive atmospheres



Female thread

Dimensions (mm / inch)



Pin Fix

