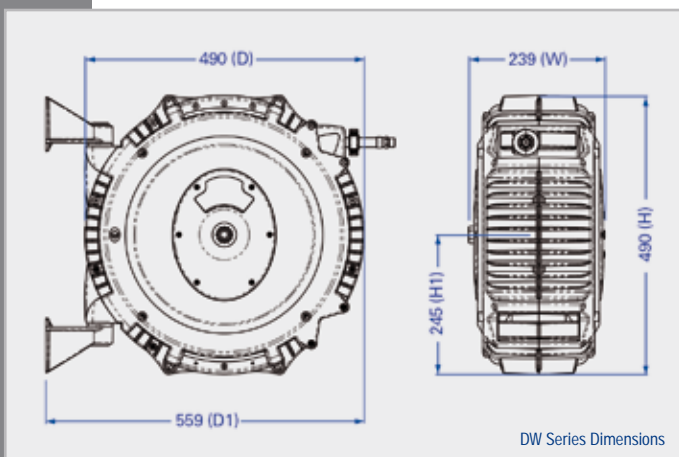


Potable Water Hose Reels



ReCoila® Gen III DW series reels are designed for the transfer of drinking water. The hose has a special inner tube that does not taint or compromise the water quality. Ideal applications are fresh water filling stations for marine pleasure craft, caravan and mobile home filling stations or simply the transfer of drinking water.

Model	Hose ID	Hose Length	Max PSI	Inlet Fitting	Outlet Fitting	Temp Range	Weight
DW1218	12-mm	18-m	240	3/8" BSPF	3/8" BSPM	-5/+60°C	12Kg



Note:

NPT, JIC, JIS, Metric threads are available on request. Maximum working pressure of the hose is based @ 30°C. Standard fittings swivels are MS58 brass optional 316 stainless steel swivels and fittings are available.

