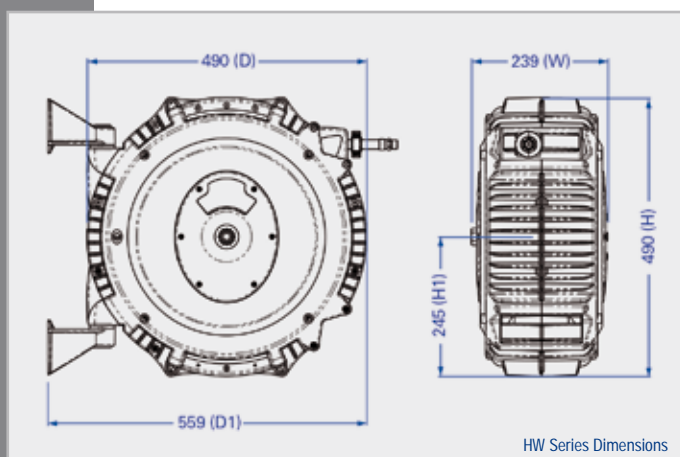


Hot Wash Water Reels



ReCoila® Gen III HW series reels are specifically designed as the perfect solution for hot water washdown applications in food preparation areas. The white food grade hose is acceptable for food processing areas for hot or cold water washdown. The stain and chemical resistant engineered composite materials construction allows the reel to be easily washed and hygienically cleaned as and when required. The open top and bottom allows for air circulation and reduces the build up of dirt and grime. The HW series is available with and without the heavy duty fully insulated washdown gun.

Model	Hose ID	Hose Length	Max PSI	Inlet Fitting	Outlet Fitting	Temp Range	Weight
HW1015	10-mm	15-m	240	3/8" BSPF	3/8" BSPM	-30/+85°C	11Kg
HW1020	10-mm	20-m	240	3/8" BSPF	3/8" BSPM	-30/+85°C	12Kg
HW1215	12-mm	15-m	240	1/2" BSPF	1/2" BSPM	-30/+85°C	12Kg
HWG1015	10-mm	15-m	240	3/8" BSPF	H.D Gun	-30/+85°C	11Kg
HWG1020	10-mm	20-m	240	3/8" BSPF	H.D Gun	-30/+85°C	12Kg
HWG1215	12-mm	15-m	240	1/2" BSPF	H.D Gun	-30/+85°C	12Kg



Note:

NPT, JIC, JIS, Metric threads are available on request. Maximum working pressure of the hose is rated 240 psi @ 30°C, operating temp 85°C @ 150 psi. Standard swivel configuration is DR brass optional 316 stainless steel is available.

