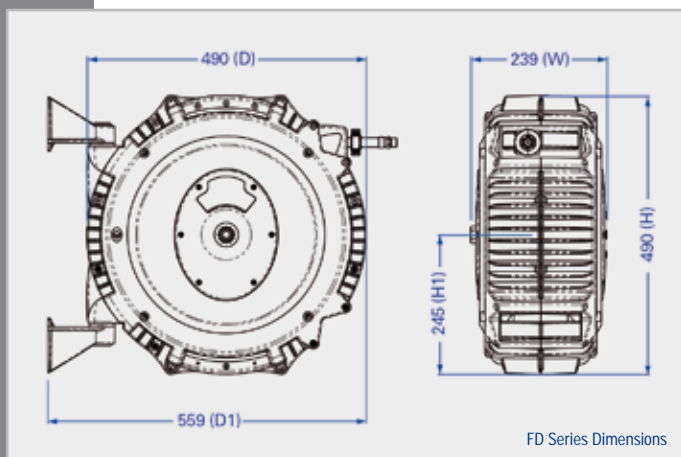


Food Gases Reels



ReCoila® Gen III FD series are primarily designed for use in Wineries to dispense CO2 and or Nitrogen gases to blanket the vats and tanks during transfer, storage, fermentation and other processes. Also suited to other food processing industries that require inert gas transfer.

Model	Hose ID	Hose Length	Max PSI	Inlet Fitting	Outlet Fitting	Temp Range	Weight
FD620	6-mm	20-m	240	3/8" BSPF	1/4" BSPM	-30/+65°C	12Kg
FD820	8-mm	20-m	240	3/8" BSPF	3/8" BSPM	-30/+65°C	12Kg
FD1020	10-mm	20-m	240	3/8" BSPF	3/8" BSPM	-30/+65°C	12Kg
High Pressure Non Food Grade Model							
N1015	10-mm	15-m	600	3/8" BSPF	3/8" BSPM	-30/+90°C	12Kg



Note:

NPT, JIC, JIS, Metric threads are available on request. Maximum working pressure of the hose is based @ 30°C.

