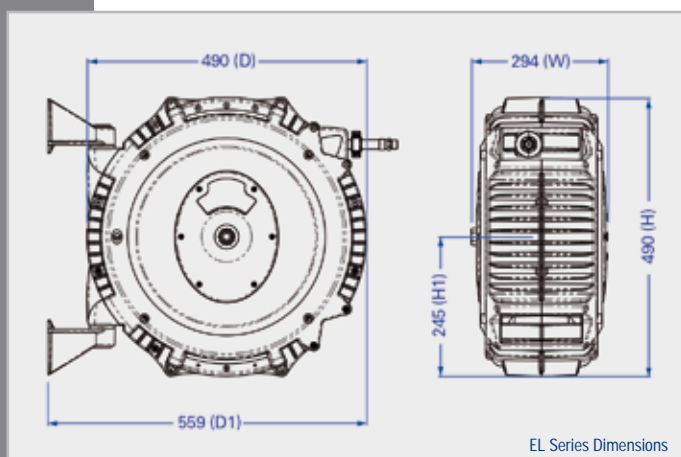


Electrical Cord Reels



ReCoila® Gen III EL series reels are the perfect solution to ensuring cables and cords are stored safely when not in use. When cables and cords are left laying around they are easily damaged resulting in a potential electrocution. Protect your equipment and personnel by installing and using *ReCoila*® cable and cord reels.

Model	Cable mm ²	Cable Length	No. Cores	Inlet	V/AC	Amps	Outlet	Temp Range	Weight
EL2402010	1-mm ²	20-m	3	Plug	240	10	Socket	-20/+80°C	12Kg
EL2402015	2.4-mm ²	20-m	3	Plug	240	15	Socket	-20/+80°C	12Kg
EL4152010	2.4-mm ²	20-m	4	*N/S	415	10	*N/S	-20/+80°C	12Kg
EL4152015	2.4-mm ²	20-m	4	*N/S	415	15	*N/S	-20/+80°C	12Kg
EL4152020	2.4-mm ²	20-m	4	*N/S	415	20	*N/S	-20/+80°C	12Kg
EL4152032	4-mm ²	20-m	4	*N/S	415	32	*N/S	-20/+80°C	12Kg



Note:

EL2402010 certified to AS3105. All electrical reels are manufactured in accordance with Australian Electrical Standard AS3105. *N/S = Not supplied. Other voltages such as 110, 115, 220, 440, 560, VAC, available on request.

