

FURY TWB HP



THE PERFECT LOW FLOW HIGH PRESSURE TANKWASHER

- High Power Jets
 - Low Flow Rates
 - Fast Wash
 - Cage Protection
 - Low Fluid Use
- 5 to 90 Bar Pressure Range
 - 15Lts/min to 70Lts/min
 - Reduces Turn Round Time
 - Reduces Damage & Maintenance
 - Reduces Effluent by up to 60%

Versatile & Unique

The Breconcherry TWB is a specially designed cleaning unit, producing High Power, low flow wash jets which oscillate through 60° while the tank washer continually indexes around the central axis, safe from damage in the index synchronised protective cage. The TWB is ideal where High Power jet and low flow volumes of cleaning fluid are essential to minimise effluent costs and reduce the wash cycle, while giving minimum maintenance costs and long life.

Applications

The versatile TWB offers a 360° wash pattern for tote bins, process vessels, road tankers, and other transport containers. TWB is used extensively in the dairy, food, beverage, pharmaceutical, chemical, coatings, and road and rail transport industries. Lightweight and compact, the TWB can be used on a mobile basis or permanently installed.

Operation

The TWB is self lubricating and driven by the wash fluid. With no high speed turbines or complex gear mechanisms, there is minimal wear and servicing of the extremely strong design of the TWB. The TWB indexing mechanism provides an evenly spaced wash pattern and the tankwasher nozzles are designed to give super effective surface coverage with maximum impact.

Minimum Manhole/Flange Size

The smallest diameter recommended in normal use is 200mm/8." Care should be taken to avoid damage to the unit. Mount the Fury TWB rigidly in the tank or, for manual use, it can be suspended on a hose.

BRECONCHERRY
SELLERSCLEAN

FURY TWB HP

**BRECONCHERRY
SELLERSCLEAN**

International specialists in the design and
manufacture of tank cleaning equipment

Australia & New Zealand Distributor:



TECHNICAL PROJECTS
D/L OF MATHI PRODUCTS PTY. LTD A.B.N. 83 090 115 478

4/44 Carrington Road
Castle Hill NSW 2154
Australia

Tel: +61 (0)2 9634 3370
Fax: +61 (0)2 9634 6418
Email: sales@tecpro.com.au
Web: www.tecpro.com.au

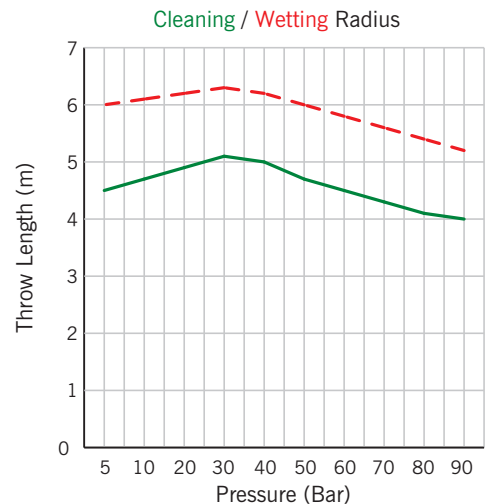
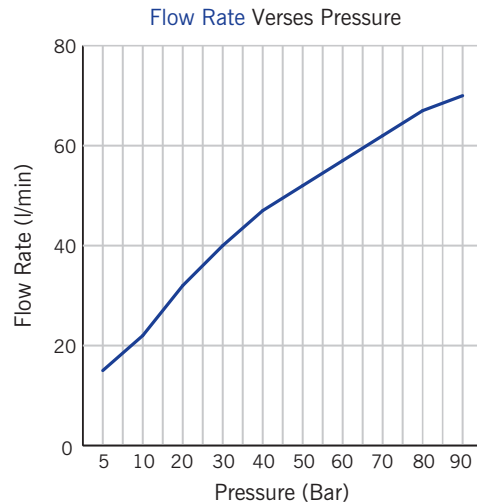


We reserve the right to change specification
without notice. Whilst we endeavour to provide
accurate up to date information, all information
is provided as a guide only.

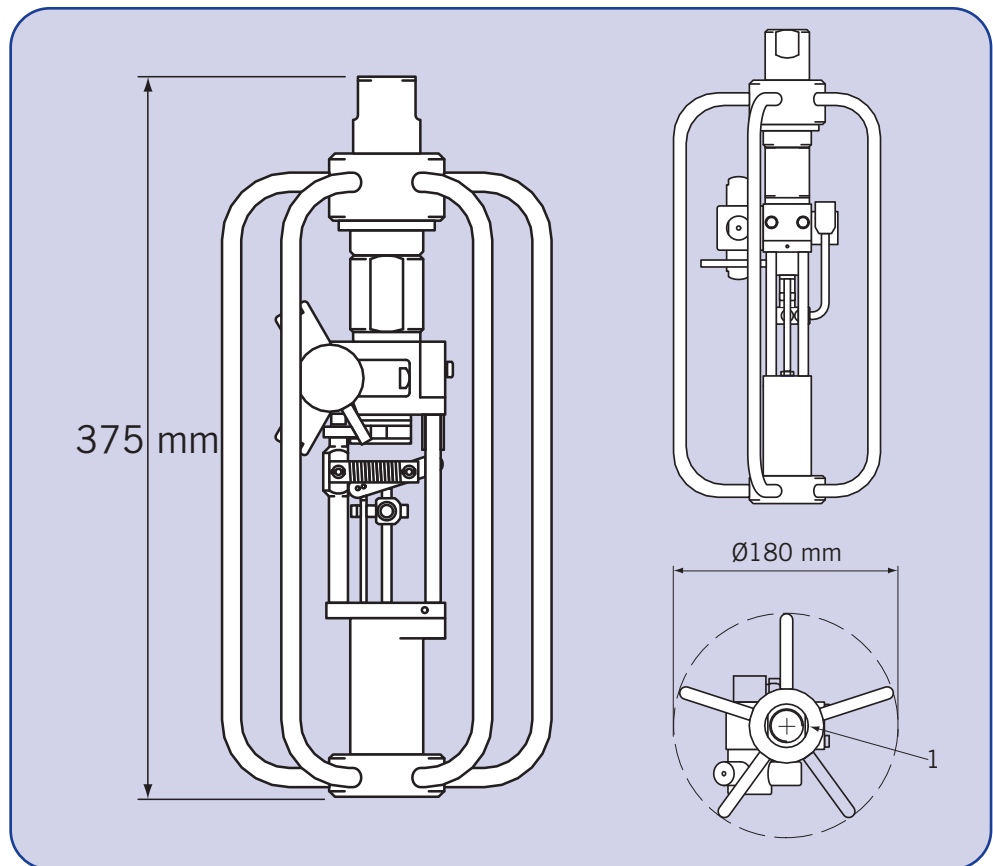
"Breconcherry", "Fury" are internationally
registered trade marks of Breconcherry Limited.
Copyright © Breconcherry Limited 1999

Technical Data

Materials of Construction:	Stainless Steel 316, PTFE, CF-PTFE, PEEK, Nitrile, Viton, PTFE or Kalrez O Rings
Max. Operating Temperature:	120° Centigrade (248°F)
Weight:	4.4kg
Nozzle Characteristics:	3 nozzles 2mm diameter nozzles available 360° Spray pattern
Standard Connections:	3/4" BSP/NPT Female



General Arrangement Drawings



For optimal efficiency use a pre-filter or strainer to prevent particulate clogging.

**BRECONCHERRY
SELLERSCLEAN**

WWW.TECPRO.COM.AU