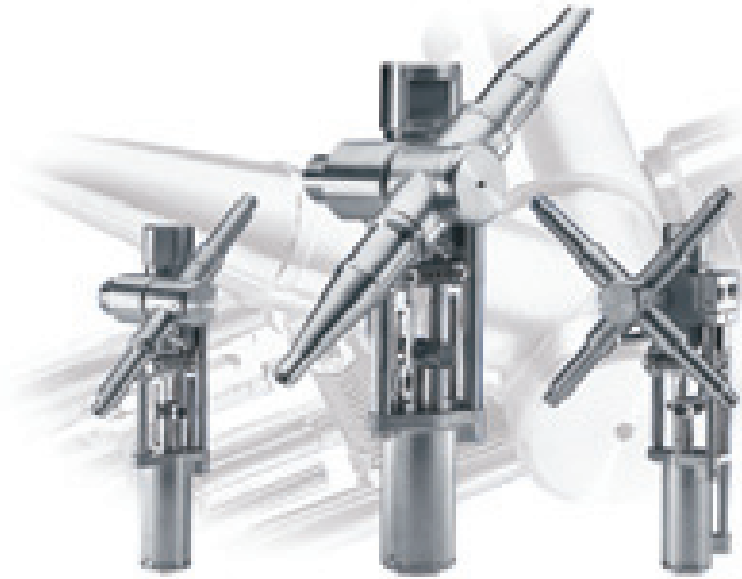


FURY 600



THE PERFECT JETTING TANKWASHER

- Proven In Use
- Low Maintenance
- Low Flat Rates
- Fast Wash Time
- Custom Design
- Years Of Hygienic Service
- Low Service Costs
- Low Effluent Costs
- Reduces Down Time
- 360° & 180° Wash Pattern

Versatile & Unique

The Breconcherry FURY 600 is a compact cleaning unit with a unique piston operated mechanism. It produces high impact, long range jets which oscillate through 90° while the tankwasher continually indexes around the central axis. The FURY 600 is powered entirely by the cleaning fluid. Only 5% of the wash drives the mechanism, 95% passes directly to the nozzles, maximising jet impingement. The FURY 600 is ideal where rigorous standards of hygiene and product purity are essential.

Applications

The versatile FURY 600 offers 360° and 180° wash patterns for process vessels, storage tanks, and transport containers. FURYs are used extensively in the brewing, distilling, dairy, food, beverage, pharmaceutical, chemical, coatings, nuclear, and transport industries. Lightweight and compact, the FURY 600 can be used on a mobile basis or permanently installed.

Operation

Unique among jetting washers, the FURY 600 is driven by a low speed piston. Powered by 5% of the wash fluid this results in less product debris passing through the internal mechanism. With no high speed turbines and complex gear mechanisms, there is minimal wear and servicing. The FURY 600 indexing mechanism provides an evenly spaced wash pattern and the tankwasher nozzles are designed to give effective surface coverage with high impingement. Optimum results are guaranteed.

BRECONCHERRY
SELLERSCLEAN

WWW.TECPRO.COM.AU

FURY 600

BRECONCHERRY SELLERSCLEAN

International specialists in the design and manufacture of tank cleaning equipment

Australia & New Zealand Distributor:



TECHNICAL PROJECTS
D/L OF MATHI PRODUCTS PTY. LTD A.B.N. 83 090 115 478

4/44 Carrington Road
Castle Hill NSW 2154
Australia

Tel: +61 (0)2 9634 3370

Fax: +61 (0)2 9634 6418

Email: sales@tecpro.com.au

Web: www.tecpro.com.au



We reserve the right to change specification without notice. Whilst we endeavour to provide accurate up to date information, all information is provided as a guide only.

"Breconcherry", "Fury" are internationally registered trade marks of Breconcherry Limited.
Copyright © Breconcherry Limited 1999

Maintenance & Inspection

The low operating speed of the FURY 600 mechanism ensures minimum wear of the components. Inspection and maintenance are made easier by the open design of the tankwasher. Comprehensive after-sales service includes spare parts, technical support and full repair facilities.

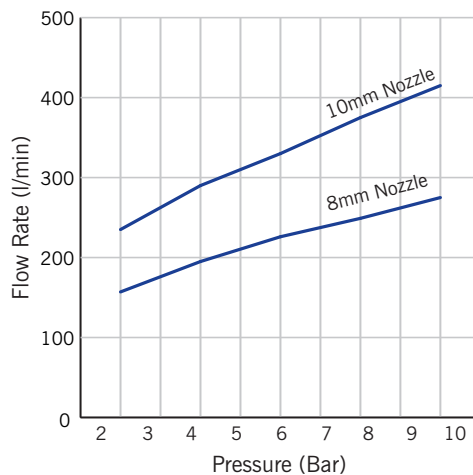
Manhole Opening

The minimum manhole/flange opening size required for unit insertion is 480mm/19". With two nozzle units, the nozzles can be turned vertically to allow the unit to go through a 200mm/8" hole.

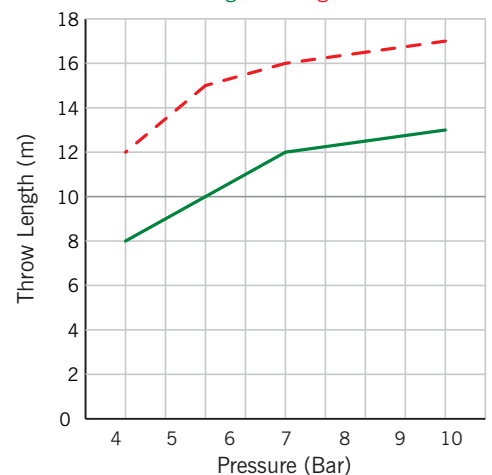
Technical Data

Materials of Construction:	Stainless Steel 316, PTFE, CF-PTFE, PEEK, Nitrile, Viton, PTFE or Kalrez O Rings
Max. Operating Temperature:	120° Centigrade (248°F)
Weight:	2.3kg
Nozzle Characteristics:	2 or 4 nozzles 8mm or 10mm diameter nozzles available 180° or 360° Spray Pattern
Standard Connections:	1.5" BSP/NPT Female

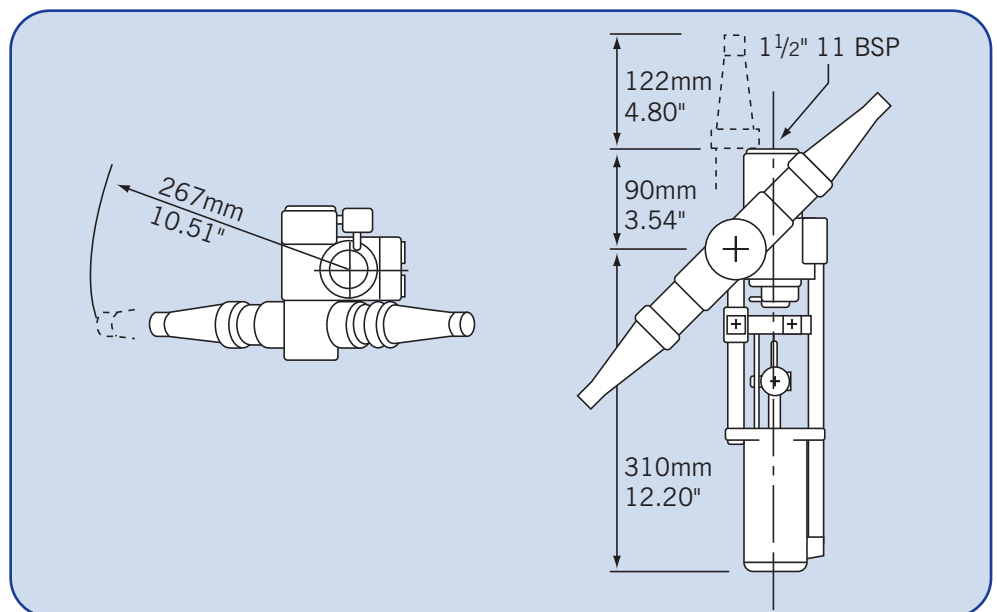
Flow Rate Verses Pressure



Cleaning / Wetting Radius



General Arrangement Drawings



For optimal efficiency use a pre-filter or strainer to prevent particulate clogging.

BRECONCHERRY SELLERSCLEAN