

CHEMIDISC



- **Chemical Resistant** - Ideal for Corrosive Environments
- **Lightweight Plastic Construction** - Safer In Glass Lined Vessels
- **No Ball Bearings** - Reduced Contamination
- **Fast Aggressive Wash** - Reduced Down Time, Reduced Cost

Versatile & Unique

The CHEMIDISC offers powerful low cost cleaning performance manufactured in chemical resistant materials for the pharmaceutical, chemical, nuclear, and food industries where FDA CFR21 compliance, and heightened standards of hygiene and performance are necessary. CHEMIDISC sprayheads are ideal for burst rinsing and can be placed into the tank at any angle.

Applications

The CHEMIDISC range is available in a wide variety of sizes and is designed for use in harsh chemical environments, as a Hastelloy alternative and in glass lined vessels.

CHEMIDISCs constructed in carbon filled PTFE dissipate static electricity in potentially explosive atmospheres. Pure PTFE CFR21 compliant CHEMIDISCs are used in many pharmaceutical and other applications where the cleaning solution is corrosive to stainless steel. PEEK is available for nuclear and specialist applications. The CHEMIDISC cost effectiveness and reliability is specified by end users, OEMs and contract design companies.

Operation

CHEMIDISC has a unique ball bearing free design, meaning no shedding of metal bearing debris and no failure to rotate. CHEMIDISC has only one moving part, the rotating disc which rides friction free on a hydraulic bearing which instantly converts the wash fluid into a sphere of fast moving droplets, distributing the fluid in a complete and uniform manner. Total surface cover is achieved as fast moving, high power droplets simultaneously reach the entire surface of the tank, inlet pipe and overhead nozzles where contamination frequently occurs.

BRECONCHERRY
SELLERSCLEAN

**BRECONCHERRY
SELLERSCLEAN**

International specialists in the design and manufacture of tank cleaning equipment

Australia & New Zealand Distributor:



TECHNICAL PROJECTS
D/L OF MATHI PRODUCTS PTY. LTD A.B.N. 83 090 115 478

4/44 Carrington Road
Castle Hill NSW 2154
Australia

Tel: +61 (0)2 9634 3370
Fax: +61 (0)2 9634 6418
Email: sales@tecpro.com.au
Web: www.tecpro.com.au



We reserve the right to change specification without notice. Whilst we endeavour to provide accurate up to date information, all information is provided as a guide only.

"Breconcherry", "Chemidisc" are internationally registered trade marks of Breconcherry Limited.
Copyright © Breconcherry Limited 1999

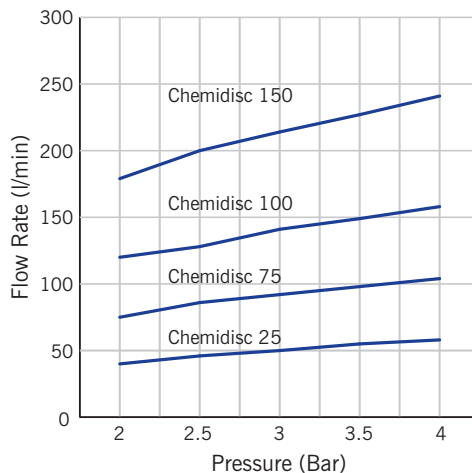
Technical Data

Materials of Construction: C-PTFE, PTFE, PEEK
Max. Operating Temperature: 95° Centigrade
Max. Ambient Temperature: 140° Centigrade
Standard Connections: BSP/NPT, Pin Fix
Nozzle Characteristics: 180° or 360° Spray Pattern

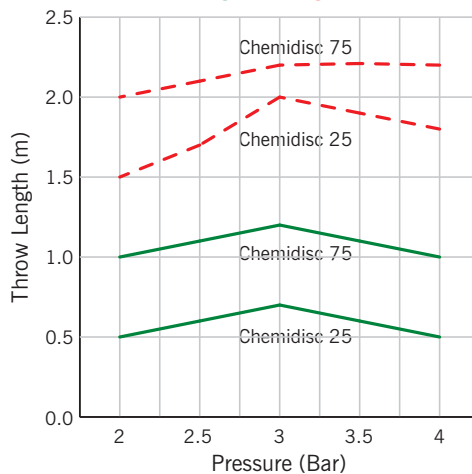
Minimum Manhole/Flange Size

The minimum manhole/flange opening size required for unit insertion will depend on the unit size chosen, but ranges from 30mm to 75mm.

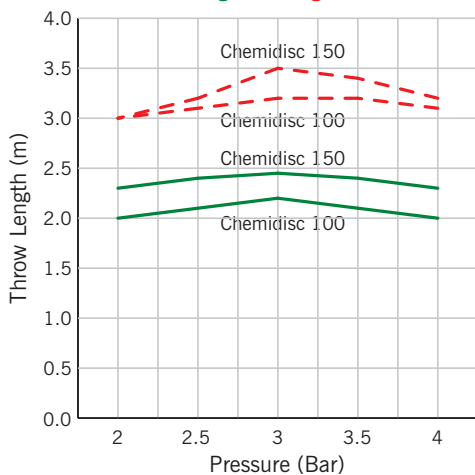
Flow Rate Verses Pressure



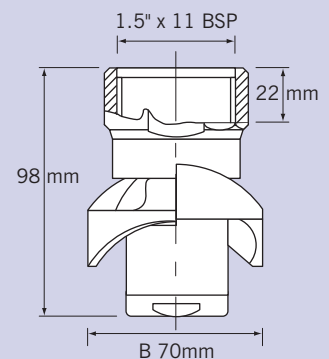
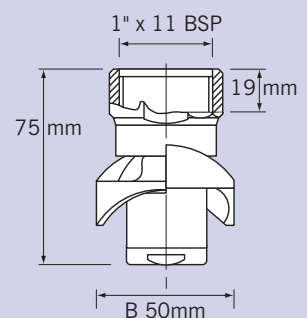
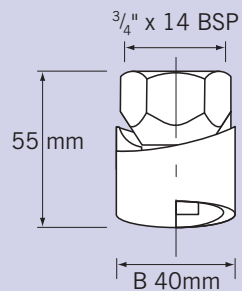
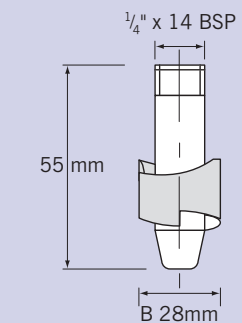
Cleaning / Wetting Radius



Cleaning / Wetting Radius



General Arrangement Drawings



**BRECONCHERRY
SELLERSCLEAN**