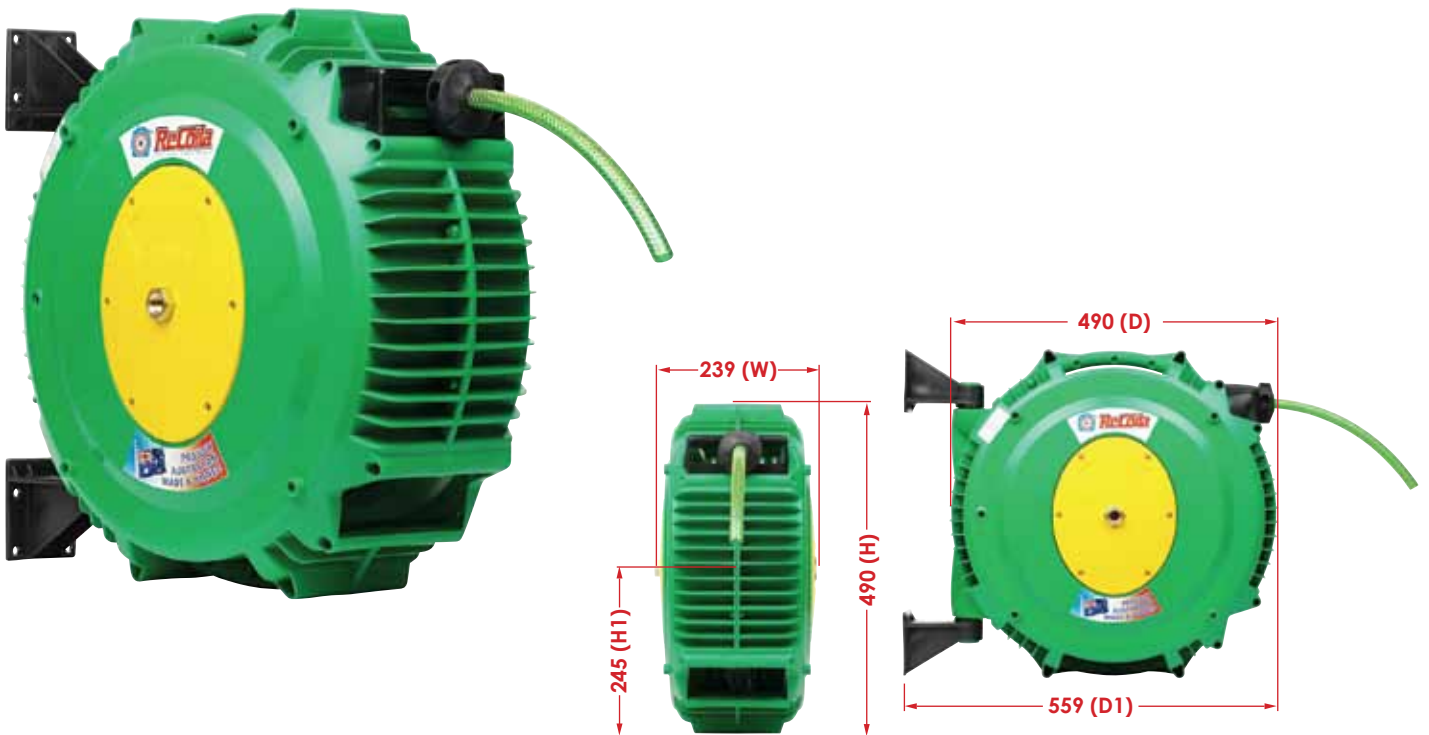


## Garden Hose Reels

ReCoila® Gen III G series reel is the perfect solution to keep your garden looking great. No more tangles or having to fight the hose every time you water the garden or wash the car. The reel comes complete with a 2m side connection hose and inlet fitting.

| Model | Hose ID | Hose Length | Max PSI | Inlet Fitting | Outlet Fitting | Temp Range | Weight |
|-------|---------|-------------|---------|---------------|----------------|------------|--------|
| G1218 | 12mm    | 18m         | 240     | 1/2" BSPF     | *N/S           | -5/+60°C   | 12Kg   |



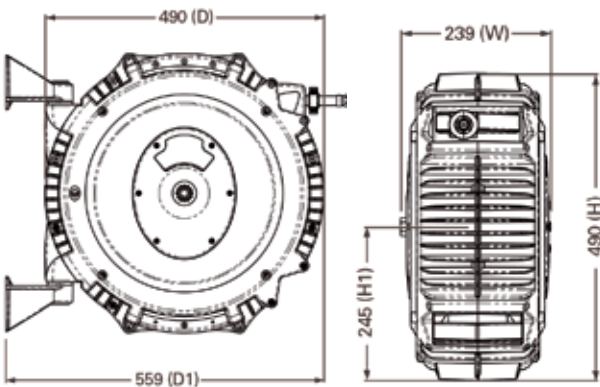
Note:

NPT, JIC, JIS, Metric threads are available on request.  
Maximum working pressure of the hose is based @ 30°C.\*N/S = Not supplied. Hose nozzle not included.

## Gen III Features & Benefits

ReCoila® Gen III composite construction reels lead the world in design, functionality, reliability and innovative features.

ReCoila® was one of the first in the world to develop and manufacture composite spring rewind reels and today we continue to be world leaders.



- Up to a 5 year warranty
- Highest quality 'finished edge' spring steel strip
- Full flow swivels and fluid paths
- Positive crimp hose fittings
- All position positive latching system
- Tough, impact, corrosion resistant and UV stabilized polypropylene with anti static and flame retardants
- Unique ratchet tensioning system
- Heavy Duty wall mounting swivel system
- Replaceable protective mouth guard
- Large side covers for easy access in servicing and maintenance routines
- Food grade approved materials
- Unique service locking pin port for added safety
- Two part fully adjustable bumper
- Detailed operation and service manual
- Easy mount drill hole pattern supplied

