

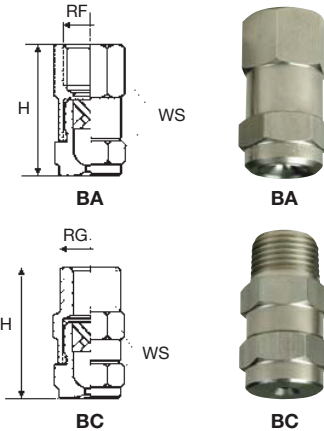
## FULL CONE NOZZLES

## BA/BC

## X-VANE / ROUND SPRAY / THREE PIECES

These full cone nozzles offer a three-piece design based on the clog resistant X-vane design plus the convenience of an easy and fast internal cleaning since they can be easily disassembled for maintenance. The nipple design avoids losing the vane when the nozzle is mounted spraying upwards. Available with female (BA) or male (BC) inlet thread nipple, see dimensions and weights at the bottom the page.

Materials      B1      AISI 303 Stainless steel  
                   B3      AISI 316 Stainless steel on request  
                   T1      Brass



## Standard spray

BAQ	BCQ	Code	RF RG inch	D mm	D1 mm	Capacity at different pressure values							Spray angle (degrees) at pressure		
						(lpm)							(bar)		
						0.7	1.0	2.0	3.0	5.0	7.0	10	0.7	1.5	5.0
•	•	0740	1/8	1.0	0.5	0.36	0.43	0.60	0.74	0.93	1.13	1.35	--	58	53
•	•	1110		1.2	0.5	0.53	0.64	0.90	1.10	1.42	1.68	2.01	51	65	60
•	•	1150		1.4	1.0	0.72	0.87	1.22	1.50	1.94	2.29	2.74	43	59	46
•	•	1220		1.6	1.0	1.06	1.27	1.80	2.20	2.84	3.36	4.02	50	65	60
•	•	1260		1.6	1.3	1.26	1.50	2.12	2.60	3.36	3.97	4.75	43	48	45
•	•	1370	2.0	1.3	1.79	2.14	3.02	3.70	4.78	5.70	6.76	50	65	58	
•	•	1480	1/4	2.4	1.7	2.32	2.77	3.92	4.80	6.20	7.30	8.76	45	50	45
•	•	1740		2.9	1.7	3.57	4.27	6.04	7.40	9.60	11.3	13.5	55	65	60
•	•	1930		3.2	1.7	4.46	5.34	7.61	9.30	12.0	14.2	16.9	68	70	67
•	•	1700	3/8	3.0	2.0	3.38	4.04	5.71	7.00	9.03	10.7	12.7	45	50	45
•	•	2111		3.4	2.4	5.36	6.40	9.10	11.1	14.3	17.0	20.3	65	68	60
•	•	2163		4.5	2.4	7.87	9.40	13.3	16.3	21.0	24.9	29.8	85	90	80
•	•	2118	1/2	3.4	3.0	5.70	6.80	9.60	11.8	15.2	18.0	21.5	50	50	45
•	•	2185		4.4	3.0	8.94	10.7	15.1	18.5	23.9	28.3	33.8	65	68	60
•	•	2240		5.0	3.0	11.6	13.9	19.6	24.0	31.0	36.7	43.8	70	75	65
•	•	2300		5.6	3.0	14.5	17.3	24.5	30.0	38.7	45.8	54.8	90	92	85

## Wide spray

BAW	BCW	Code	RF/RG	D	D1	0.7	1.0	2.0	3.0	5.0	7.0	10	0.7	1.5	5.0
•	•	1200	1/8	1.5	1.0	0.97	1.15	1.63	2.00	2.58	3.06	3.65	120	115	104
•	•	1310		1.8	1.0	1.50	1.79	2.53	3.10	4.00	4.74	5.66	120	110	104
•	•	1400		2.3	1.0	1.93	2.31	3.27	4.00	5.16	6.11	7.30	120	110	104
•	•	1570		2.5	1.1	2.75	3.29	4.65	5.70	7.36	8.71	10.4	120	110	104
•	•	1720	1/4	3.3	1.7	3.48	4.16	5.88	7.20	9.30	11.0	13.1	120	110	105
•	•	1860		3.4	1.3	4.15	4.97	7.02	8.60	11.1	13.1	15.7	120	110	105
•	•	2100		3.6	1.6	4.83	5.77	8.16	10.0	12.9	15.3	18.3	120	110	105
•	•	2122	3/8	3.9	1.6	5.89	7.04	9.96	12.2	15.8	18.6	22.3	120	110	105
•	•	2144		4.3	2.4	6.96	8.30	11.8	14.4	18.6	22.0	26.3	120	110	105
•	•	2172		4.9	2.4	8.31	9.90	14.0	17.2	22.2	26.3	31.4	120	110	105
•	•	2194		5.3	2.5	9.37	11.2	15.8	19.4	25.0	29.6	35.4	120	110	105
•	•	2220	1/2	5.0	3.0	10.6	12.7	18.0	22.0	28.4	33.6	40.2	120	115	110
•	•	2250		5.3	3.0	12.1	14.4	20.4	25.0	32.3	38.2	45.6	120	115	110
•	•	2290		5.6	3.0	14.0	16.7	23.7	29.0	37.4	44.3	52.9	120	115	110
•	•	2320		6.7	3.5	15.5	18.5	26.1	32.0	41.3	48.9	58.4	120	115	110
•	•	2360		7.6	4.0	17.4	20.8	29.4	36.0	46.5	55.0	65.7	120	115	110

## Dimensions and weights

Nozzle Type	RF/RG inch	H mm	WS mm	W kg
BA/BB	1/8	30	14	0.03
	1/4	37	17	0.04
	3/8	46	19	0.07
	1/2	57	25	0.20

Nozzle Type	RF/RG inch	H mm	WS mm	W kg
BC/BD	1/8	32	14	0.02
	1/4	39	17	0.04
	3/8	47	19	0.07
	1/2	57	25	0.20