

FULL CONE NOZZLES

AA

SLOTTED VANE

Type AA full cone nozzles are made out of a body and a slotted vane, for even spray distribution.

This type of construction offers a nozzle length generally shorter than other types, and it is used in applications where strict space requirements are to be met.

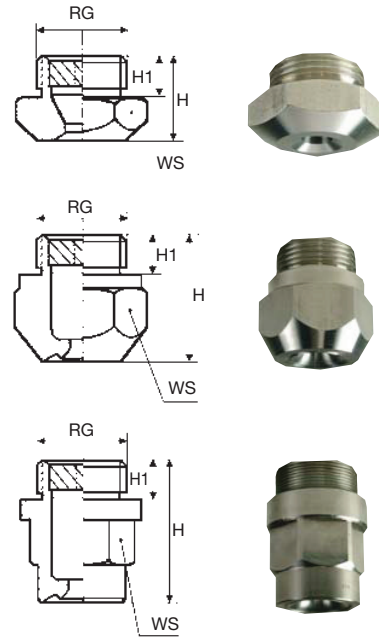
Connection thread is parallel, according to BSP standards.

Typical applications in gas cooling, washing processes and fire fighting systems.

Their compact design makes them the best choice where a plastic material like PVC, PP or PTFE is required. The robust construction of the vane prevents it collapsing when subjected to high temperature, also there is a price advantage resulting from less material being required to provide a nozzle of shorter length.

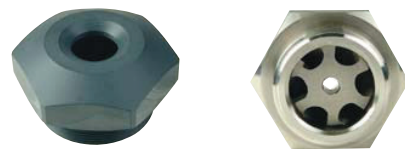
In addition these nozzles can be readily manufactured from almost any machineable material, making them the best choice when urgent delivery is requested.

- Materials**
- B31 AISI 316L Stainless steel
 - T1 Brass
 - D All plastic materials on request



| Code | RG inch | D mm | D1 mm | Capacity at different pressure values | | | | | | | | | H mm | H1 mm | WS mm |
|-------------|---|---------|----------|---------------------------------------|------|------|------|------|------|------|------|------|---------|----------|----------|
| | | | | 0.5 | 0.7 | 1.0 | 2.0 | 3.0 | 5.0 | 7.0 | 10 | | | | |
| 90° | AAU 2305 xx AAU 2385 xx AAU 2490 xx | 3/4 | 6.1 | 3.0 | 12.5 | 14.7 | 17.6 | 24.9 | 30.5 | 39.4 | 46.6 | 55.7 | 22 | 10 | 32 |
| | | | 6.7 | 3.0 | 15.7 | 18.6 | 22.2 | 31.4 | 38.5 | 49.7 | 58.8 | 70.3 | | | |
| | | | 7.8 | 4.0 | 20.0 | 23.7 | 28.3 | 40.0 | 49.0 | 63.3 | 74.8 | 89.4 | | | |
| | AAU 2610 xx AAU 2780 xx | 1 | 9.0 | 4.0 | 24.9 | 29.5 | 35.2 | 49.8 | 61.0 | 78.7 | 93.1 | 111 | 27 | 12 | 40 |
| | | | 10.5 | 5.0 | 31.9 | 37.7 | 45.1 | 63.7 | 78.0 | 101 | 119 | 142 | | | |
| | AAU 3123 xx AAU 3194 xx | 1+1/4 | 12.5 | 6.0 | 50.2 | 59.4 | 71.0 | 100 | 123 | 158 | 187 | 224 | 30 | 14 | 50 |
| | | | 16.0 | 6.0 | 79.2 | 93.8 | 112 | 158 | 194 | 250 | 296 | 354 | | | |
| | AAU 3310 xx AAU 3386 xx | 2 | 20.0 | 7.0 | 127 | 150 | 179 | 253 | 310 | 400 | 473 | 564 | 45 | 18 | 75 |
| | | | 23.0 | 9.0 | 158 | 186 | 223 | 315 | 386 | 498 | 589 | 703 | | | |
| | AAU 3490 xx AAU 3610 xx | 2+1/2 | 25.0 | 12.0 | 200 | 237 | 283 | 400 | 490 | 632 | 748 | 894 | 52 | 22 | 90 |
| 28.5 | | | 13.0 | 249 | 295 | 352 | 498 | 610 | 787 | 931 | 1112 | | | | |
| AAU 3775 xx | 3 | 32.0 | 16.0 | 317 | 375 | 448 | 633 | 775 | 1000 | 1183 | 1412 | 60 | 24 | 110 | |
| 120° | AAW 2490 xx AAW 2780 xx | 3/4 | 7.9 | 3.0 | 20.0 | 23.7 | 28.3 | 40.0 | 49.0 | 63.3 | 74.8 | 89.4 | 38 | 11 | 32 |
| | | | 13.7 | 6.0 | 31.9 | 37.7 | 45.1 | 63.7 | 78.0 | 101 | 119 | 142 | | | |
| | AAW 3123 xx AAW 3194 xx | 1+1/4 | 12.7 | 6.0 | 50.2 | 59.4 | 71.0 | 100 | 123 | 158 | 187 | 224 | 62 | 19 | 50 |
| | | | 16.0 | 6.0 | 79.2 | 93.8 | 112 | 158 | 194 | 250 | 296 | 354 | | | |
| | AAW 3310 xx AAW 3386 xx | 2 | 20.0 | 10.0 | 127 | 150 | 179 | 253 | 310 | 400 | 473 | 564 | 99 | 24 | 60 |
| | | | 22.7 | 10.0 | 158 | 186 | 223 | 315 | 386 | 498 | 589 | 703 | | | |
| | AAW 3490 xx AAW 3610 xx | 2+1/2 | 25.5 | 12.0 | 200 | 237 | 283 | 400 | 490 | 632 | 748 | 894 | 123 | 27 | 75 |
| | | | 30 | 13.0 | 249 | 295 | 352 | 498 | 610 | 787 | 931 | 1112 | | | |
| | AAW 3775 xx | 3 | 32.0 | 14.0 | 317 | 375 | 448 | 633 | 775 | 1000 | 1183 | 1412 | 150 | 30 | 85 |

While AA type nozzles are available on request in several materials, the different sizes are normally stocked or produced in brass, PVC and 316 stainless steel according to the Material Table beside. Also, please note that the wrench sizes given in the above table refer to brass nozzles, while stainless steel and plastic bars may have different sizes.



AA nozzles design is ideally suited for plastic materials.

Slotted disc vane

| MATERIAL | 3/4" | 1" | 1+1/4" | 1+1/2" | 2" | 2+1/2" | 3" |
|----------|------|----|--------|--------|----|--------|----|
| AISI 316 | | | | | | | |
| Brass | • | | | | • | • | • |
| PVC | • | • | • | • | • | • | • |